

# N.E.M.A. 4X Thermostats TF115 NEMA 4X



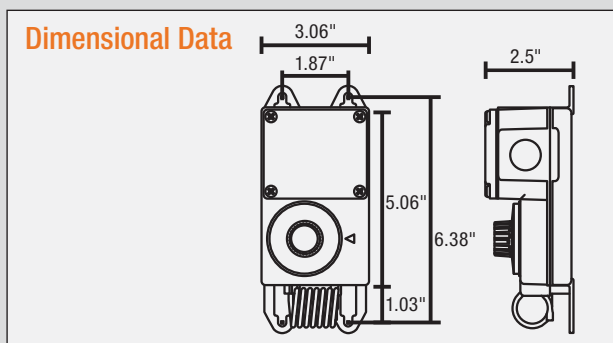
## TF115 NEMA 4X Industrial Control



- One control for heating & cooling, makes use centralized & easy.
- Large, visible dial, making set point temperatures clear.
- UL listed & CSA certified.
- Rugged, weather resistant enclosure, enabling placement most anywhere.
- Tolerates moist conditions, performs despite water spray, high humidity, airborne contaminants & moderately corrosive conditions.
- Enclosures comply with N.E.C. Article 547, giving code compliance peace-of-mind.
- Built from corrosion resistant materials, allowing long life & reliable performance in most demanding climates.

### Ordering Information

MODEL	UPC	TYPE	VOLTS	AMPS	TEMP. RANGE
TF115	19150	N.E.M.A. 4X Heating or Cooling Thermostat - Single Pole, Double Throw	120/240/277 (480)	25	40°F-100°F



### Specifications

**Amperage:**

Full load -25 Amps at 120/240/277 (5A at 480) VAC

**Control:** One stage heat or cool

**Switch:** single pole double throw

**Construction:** 2-piece weather resistant plastic enclosure and stainless steel exposed parts.

**Ground:** Leadwire

**Listing:** U.L., C.S.A. & N.E.M.A.

**Temp:** 40° - 100°F (4°C - 38°C)

• N.E.M.A. 4X enclosure complies with N.E.C. Article 547 when used with appropriate watertight connections.

- Rugged weather-resistant enclosure made of corrosion resistant materials for long life.
- One control for both heating and cooling applications

- Low mass, high surface area of stainless steel coiled sensor provides rapid response to temperature change.
- Multi-positional mounting offers flexibility in either new or existing installations.